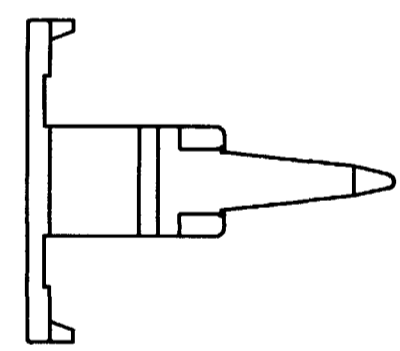
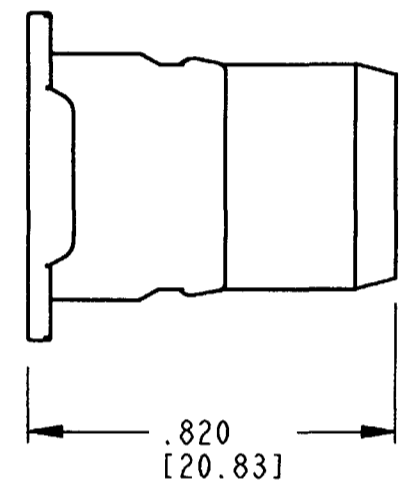
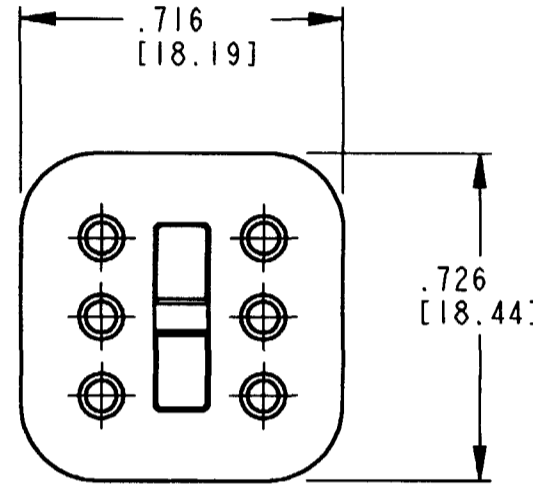


REV	W6S2-P012	REVISIONS			
NC		SYM	DESCRIPTION	DATE	APPROVED
		NC	NEW RELEASE PER E.O. PI6803	8/22/00	<i>M. Gonzalez</i>



- NOTES:
1. ALL DIMENSIONS ARE IN INCHES (METRIC).
 2. DIMENSIONS ARE $\pm .025$ [.63] UNLESS OTHERWISE SPECIFIED.
 3. THIS WEDGE MATES WITH DT06-6S-**** AND DTF13-6P2.
(**** = ALL MODIFICATIONS) CONSULT FACTORY FOR MODIFICATIONS.

SIGNATURE & DATE		WEDGE LOCK KEY POSITION #2 FOR DTF SERIES COLOR: BLUE ENVELOPE	CP	MATL. CODE
DR	<i>M. GONZALEZ 8/9/00</i>		The Deutch Company DEUTSCH I.P.D. 3850 INDUSTRIAL AVE. HEMET, CALIF. 92545	
CHK	<i>[Signature]</i>		B	W6S2-P012
PE	<i>M. Gonzalez 8/22/00</i>			
APPD	<i>M. Gonzalez 8/22/00</i>			
SCALE	NONE WT	DWG SIZE	CODE 11139	SHEET OF